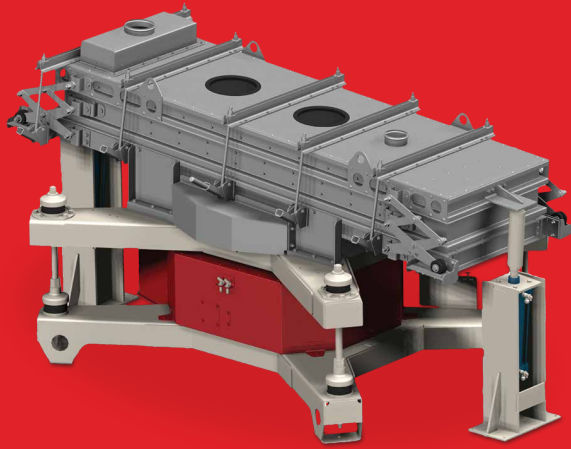


SIFTER SIFT®



“The sifter SIFT® is a rectangular sifter with horizontal circular motion allowing to spread the product thoroughly over the whole cloth. It gives a precise particle size distribution of granules or powders for all kind of industry. ”



1 | CUSTOMIZED DESIGN

All design criteria such as flow rate, cuts, particle size distribution, humidity, temperature, etc. are integrated to fit the basic parameters of our machines like the surface, the amplitude and the frequency of nutation, the slope and the correct equipment (special cloths, cleaning systems, etc.).

➔ ATEX STANDARDS

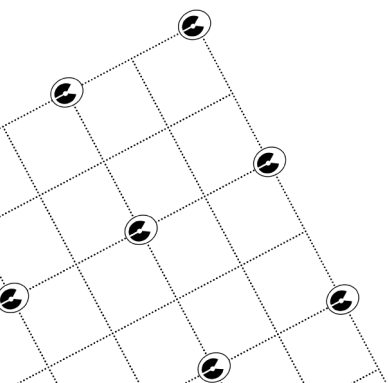
2 | APPLICATIONS

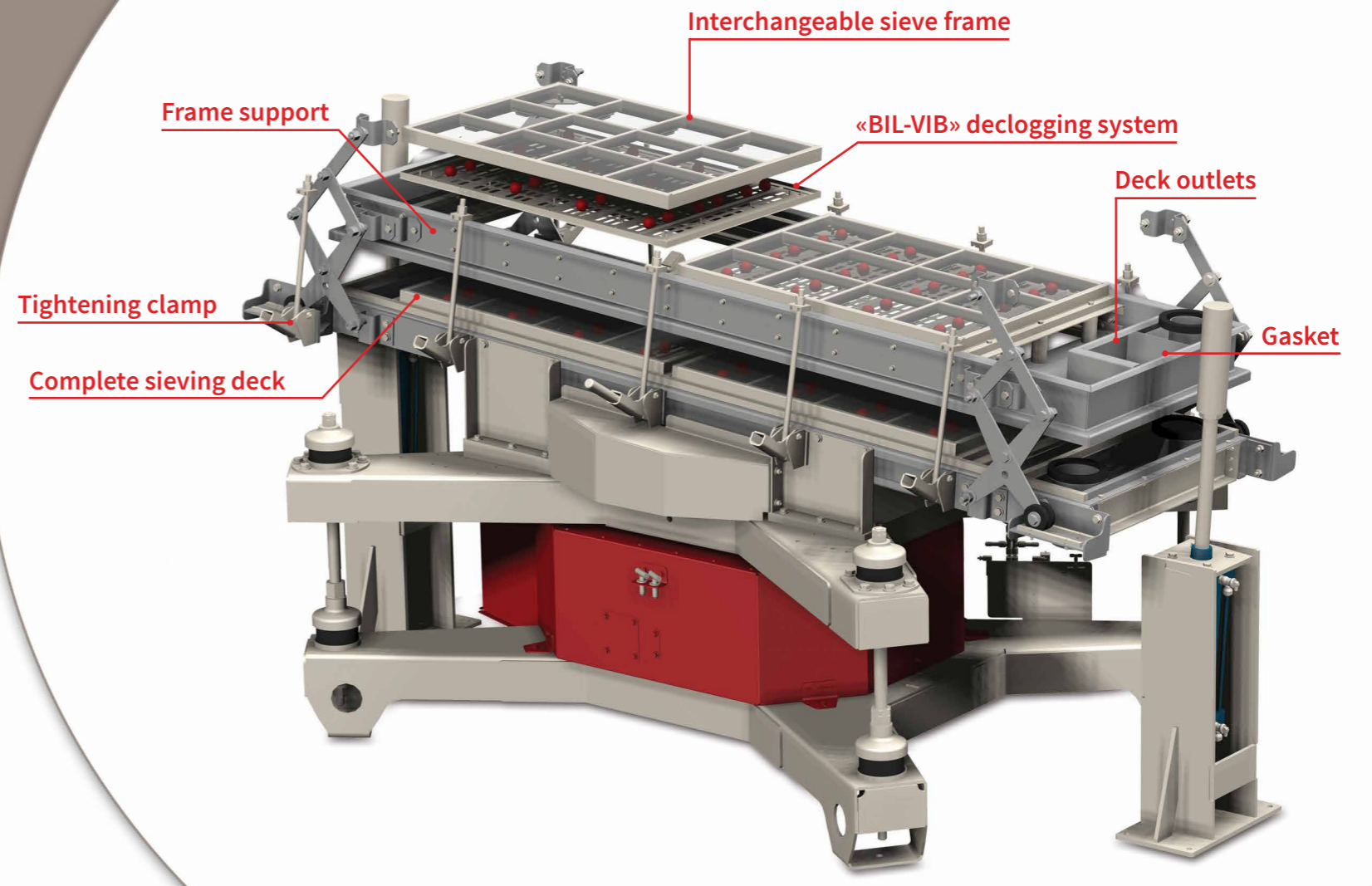
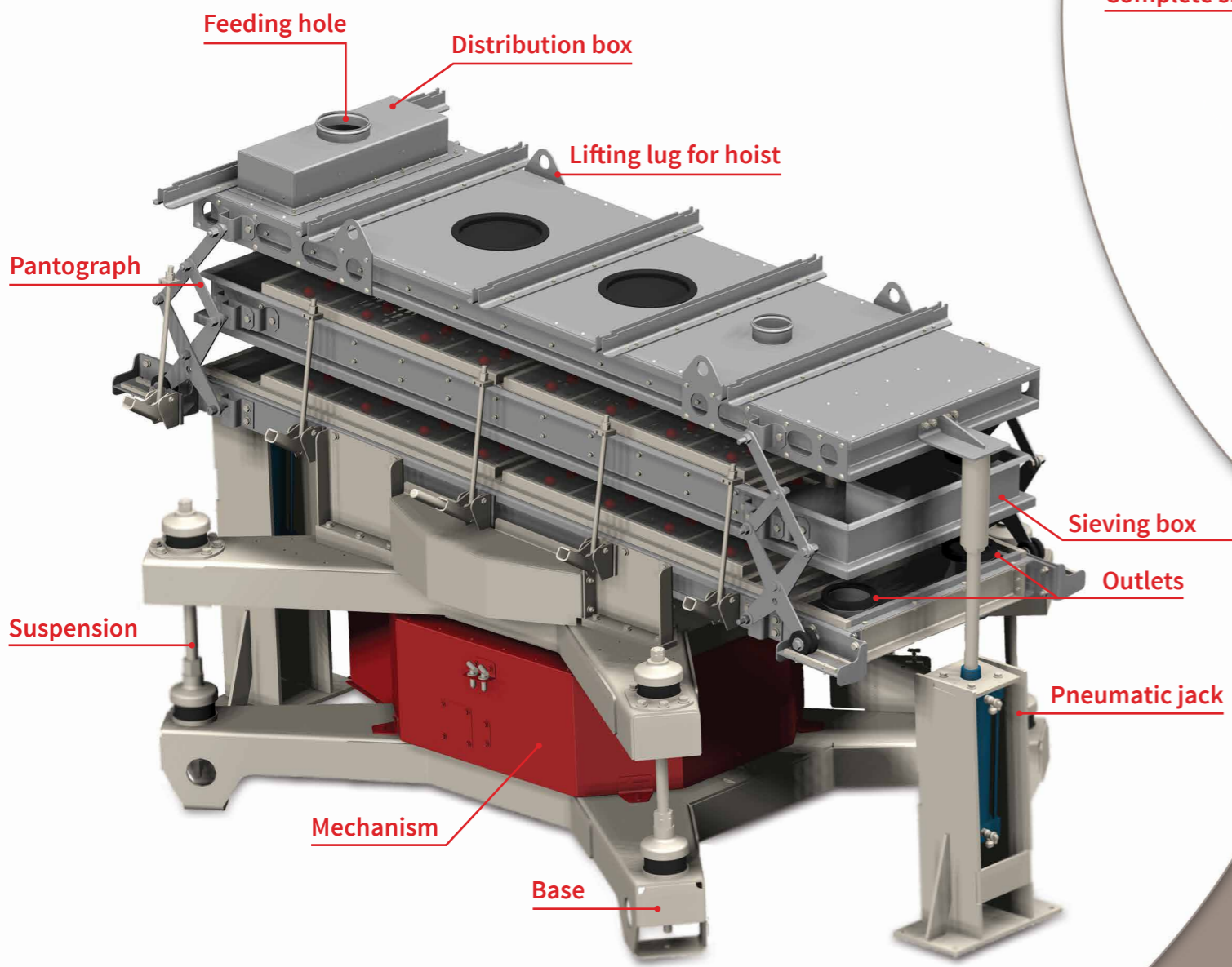
It is suitable for dry or slightly moist products :

- Powders
- Granules
- Crushed product
- Milled product


3 | USES

- SIZE CLASSIFICATION
- SAFETY SIEVING
- DUSTING





- ### 4 | HIGHLIGHTS
- DUSTPROOF
 - HIGH FLOW RATE AND SELECTIVITY
 - QUITE OPERATION
 - LOW ELECTRIC POWER CONSUMPTION
 - EXCELLENT RESULTS IN THE CLASSIFICATION OF FIBER PRODUCTS

- ### 5 | CHARACTERISTICS
- Surface 0.7 to 2.8 m²
 - Amplitude 50 mm
 - Speed 220 rpm
 - Slope 1.5 to 5 degrees
 - Number of decks 1 to 4 decks
 - Cuts 80µm to a few mm
 - Driving power 0.7 kW to 2.2 kW
 - Circular nutation in the horizontal plane
- 

6 | PROCESSED PRODUCTS

- Abrasive
- Citric acid
- Tartaric acid
- Crushed algae
- Animal feed
- Alumina
- Aluminium powder
- Asbestos
- Starch
- Antibiotics
- Slate
- Clay
- Herbs
- Barite
- Bauxite
- Sodium bicarbonate
- Manganese dioxide
- Bentonite
- Zinc white
- Blanose
- Chopped wood
- Coffee
- Limestone
- Ground rubber
- Calcium carbonate
- Soda ash
- Metallic carbide
- Casein
- Ceramic crushed
- Coarse grains
- Chamotte
- Crushed coal
- Charcoal
- Crushed limestone
- Sodium chlorate
- Vinyl chloride
- Crushed coke
- Glues
- Dyes
- Corundum
- Copper(salts)
- Detergents
- Dextrin
- Enamels
- Emery
- Spices
- Explosives
- Edible flours
- Starch
- Ferrosilicon
- Textile fibers
- Gelatins
- Wheat germs
- Gluten
- Gum arabic
- Graphite
- Gray zinc
- Insecticides
- Kaolin
- Kieselguhr
- Powdered milk
- Cork
- Yeast
- Litharge
- Lithopone
- White chalk
- Magnesium
- Corn (flour)
- Cassava
- Various powdered
- Metals
- Mica
- Iron ore
- Minium
- Mustard
- Nickels (salts)
- Nitrates
- Nylon (granules)
- Dried egg
- Iron oxide
- Sodium perborate
- Plaster of Paris
- Medical plaster
- Pumice
- Porcelain ground
- Deshydrated soups
- Potash (chlorates & nitrates)
- Sintering powders
- Pharmaceuticals
- Pyrite
- Ground quartz
- Synthetic resins
- Various sands
- Sawdust
- Salt
- Meal
- Crushed flint
- Silica
- Zinc stearate
- Fluorspar
- Granulated sugar
- Icing sugar
- Snuff
- Talc
- Tapioca
- Terylene (granules)
- Ground glass
- Zinc (sprayed) etc.



www.chauvin.fr

info@chauvin.fr

Phone : +33 (0)4 76 09 30 63

Fax : +33 (0)4 76 22 30 54

Head Office

20 rue des Grands Champs

ZI La Rollandière

38360 SASSENAGE - FRANCE

PO Box

BP 70015

38044 GRENOBLE CEDEX 9 - FRANCE

We remain at your disposal for any further information.

CHAUVIN is a subsidiary of SINEX INDUSTRIE.